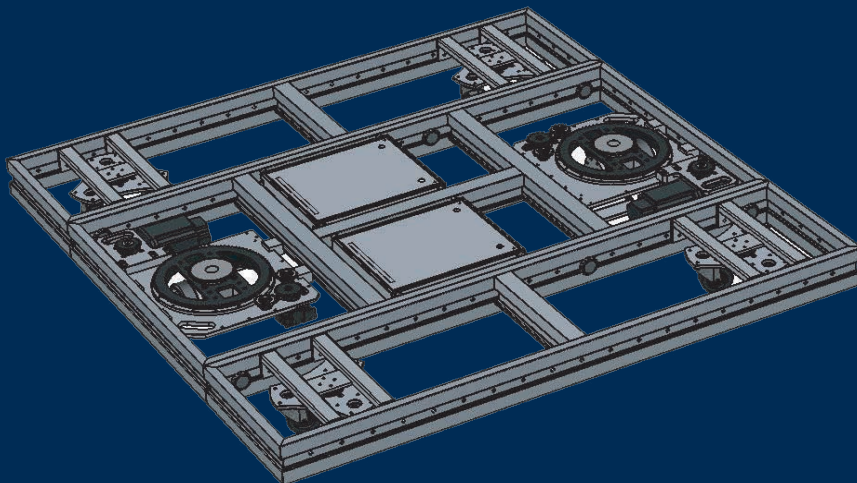


Pocheon Art Hall, Yong In City, South Korea

HOAC[®] Mobile Stage Wagons.
More dynamic for your stages.



- TRUSS SYSTEMS
- PLATFORMS & STAGING
- TURNTABLES
- STAGE WAGONS**
- GRANDSTANDS
- STAGE DESIGN
- FLY BAR SYSTEMS
- TRACK SYSTEMS
- MOBILE BALLET FLOOR
- MOBILE ACOUSTIC SHELLS

HOAC[®]
Stage Technology



HOAC® Mobile Stage Wagon. Discover the new mobility.

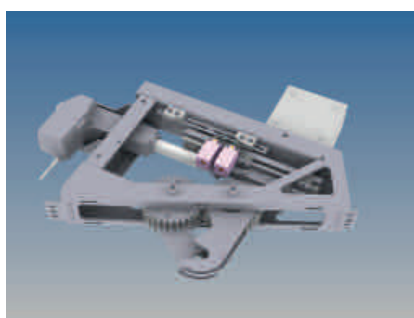
HOAC® Mobile Stage Wagons are designed to move your scenery in any direction you want. Different options in drives, wheels and controls plus our HOAC®SystemFrames leave no gap in your creativity.

Starting from a single unit joystick controlled, you can operate complete side stage wagon with integrated turntables by an intelligent control system or even your own main control system.



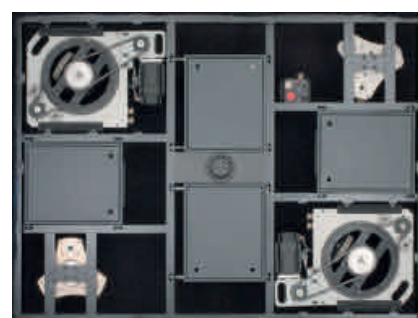
stage wagon frames

- > Easy connection with our link blocks
- > Can be used in turntables or stage wagons
- > Size in metric or inch
- > guided cable channels
- > Designed for all kind of motor units
- > load capacity from 250 kg/sqm up to 750 Kg/sqm



stage wagon connector

HOAC®Stage wagon connector is available electrical or mechanical driven. The frames need to be prepared.
For configuration changes from turntable unit into stage wagon units to be moved.



visual **act**
artistic computer technology

HOAC®Stage Wagons combined with the Visual Act motor units and control will give you the most flexibility on stage. Let the show begin. For more info: www.visualact.se

HOAC® SCHWEISSTECHNIK GMBH
PFERDSWEIDE 39C | 47441 MOERS | GERMANY
PHONE +49.2841.90828-0 | FAX -70 |
INFO@HOAC.COM | WWW.HOAC.COM

ASIA AND PACIFIC | HONG KONG | WWW.HOAC.HK
CHINA | BEIJING | WWW.HOAC.CN
BENELUX | AK ENSCHEDE | WWW.EOSLINK.NET
NORTHERN EUROPE | STEGE | WWW.HOAC.COM

HOAC® 
Stage Technology